

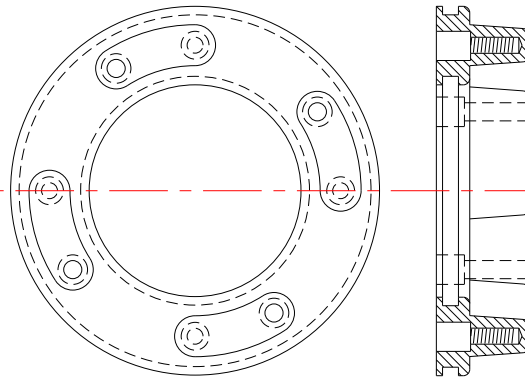
THELCO DRAWING OF WORTHINGTON® D-1000 COOLING CAP OPTION

Thelco Corporation Englewood, CO. USA  
[www.thelco.com](http://www.thelco.com)



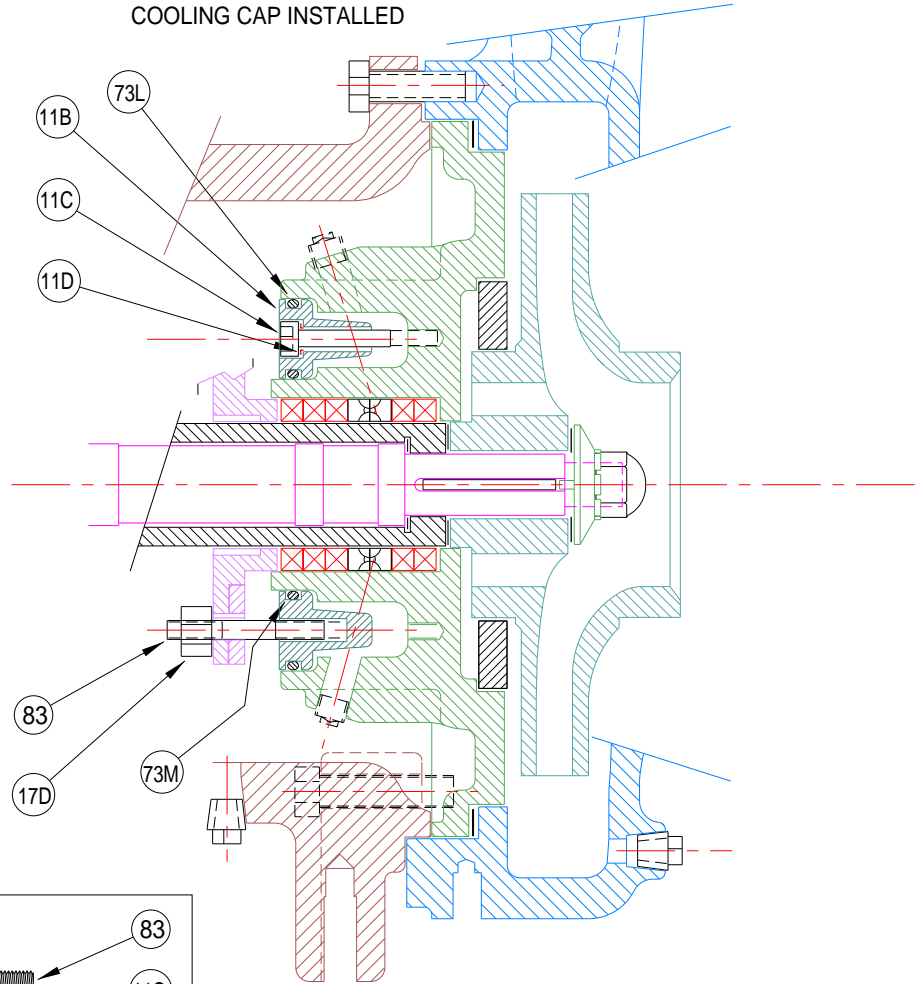
© Any reproduction must include this copyright notice.

COOLING CAP VIEWS



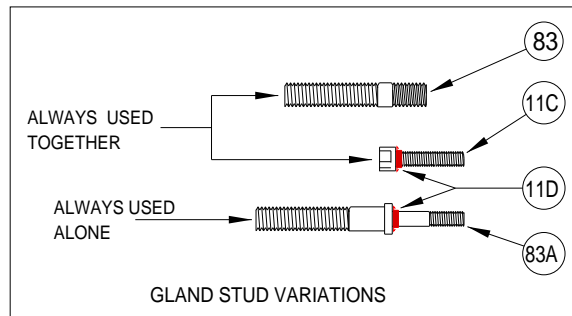
PART OF COOLING CAP IS SHOWN ROTATED IN THE PUMP FOR CLARITY.

COOLING CAP INSTALLED



Reference Numbers

- 11B COOLING CAP
- 11C HEX SOCKET BOLT
- 11D NYLON WASHER
- 17D NUT, GLAND STUD
- 73L O-RING, COOLING CAP(OUTER)
- 73M O-RING, COOLING CAP(INNER)
- 83 STUD, GLAND
- 83A STUD, GLAND-COMBINATION



WORTHINGTON® is a registered trademark of Ingersoll-Dresser Pump Company.  
 Thelco is not affiliated with WORTHINGTON® or Ingersoll-Dresser Pump Company