

THELCO CUTAWAY DRAWING OF WORTHINGTON® PUMP MODEL WD
ILLUSTRATION FOR MECHANICAL SEAL OPTION.

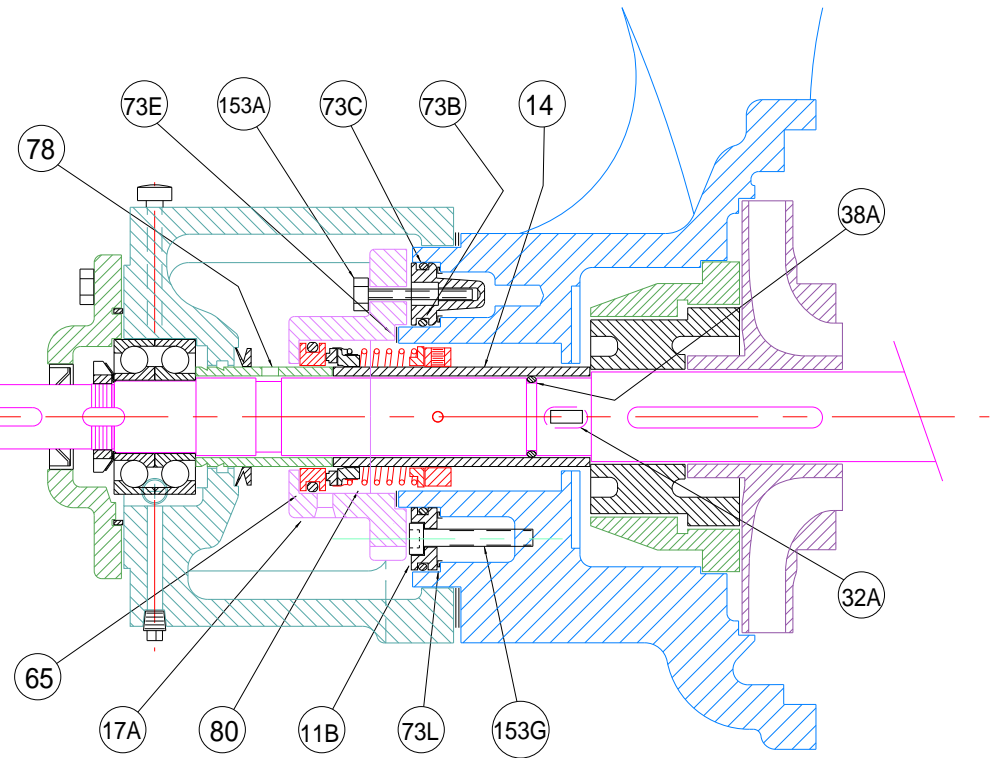
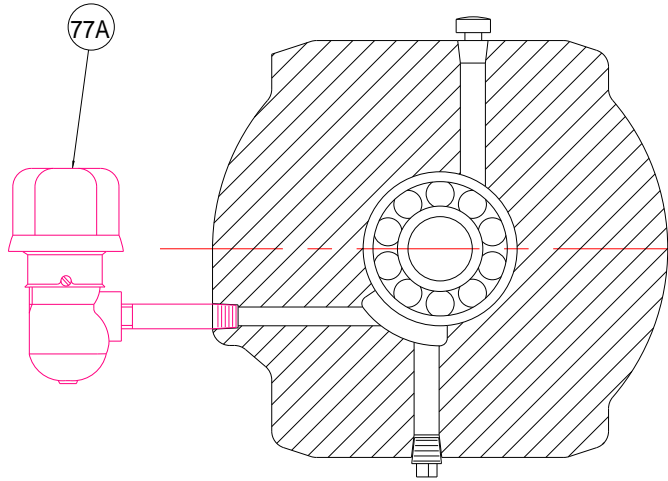
Thelco Corporation Englewood, CO. USA

www.thelco.com

ALSO SHOWING TRICO BEARING OILER.



© Any reproduction must include this copyright notice.



REFERENCE NUMBERS

11B	Cooling Cap	73E	Gasket, Gland
14	Stuffing Box Sleeve	73L	Cooling Cap Washer
17A	Mechanical Seal Gland	78	Bearing Spacer
32A	Key, Sleeve	77A	Constant Level Oiler
38A	O-Ring, Sleeve	80	Mechanical Seal Rotor
65	Mechanical Seal Seat	153A	Hex Cap Screw, Cooling Cap
73B	O-Ring, Cooling Cap	153G	Socket Head Screw, Cooling Cap
73C	O-Ring, Cooling Cap		

WORTHINGTON® is a registered trademark of Ingersoll-Dresser Pump Company.
Thelco is not affiliated with WORTHINGTON® or Ingersoll-Dresser Pump Company