

THELCO CUTAWAY DRAWING OF WORTHINGTON® PUMP MODEL D-824
 THREADED CONNECTION VERSION.

Thelco Corporation Englewood, CO. USA
 www.thelco.com

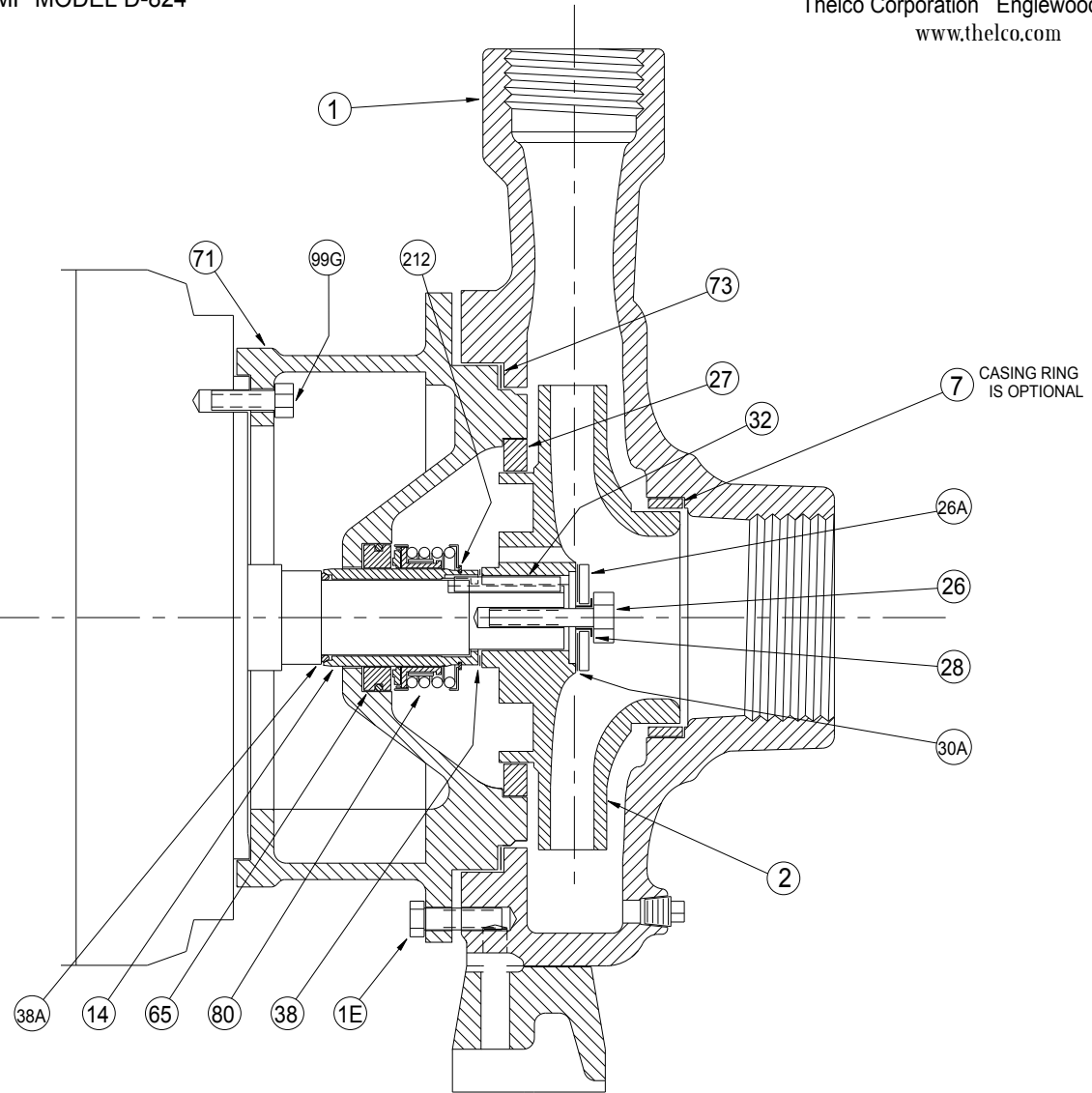
THREADED CONNECTION PUMP SIZES;

- 2-1/2 X 2-1/2 X 4
- 2-1/2 X 1-1/2 X 5
- 3 X 2 X 5
- 1-1/2 X 1 X 6
- 2 X 1 X 6
- 2-1/2 X 1-1/2 X 6
- 2-1/2 X 1-1/2 X 6
- 3 X 2 X 6
- 2 X 1 X 8
- 2-1/2 X 1-1/2 X 8
- 3 X 2 X 8

C-FACE
 JM MOTOR

JM 143-215 USES 1 3/8 OD
 HOOKED SLEEVE.

JM 254-326 USES 1 3/4 OD
 NON HOOKED SLEEVE.



© Any reproduction must include
 this copyright notice.

REFERENCE NUMBERS

Nov 2008

1	Casing	26	Cap Screw, Impeller	32	Key, Impeller	73	Gasket, Casing
1E	Cap Screw, Casing	26A	Washer, Impeller	38	Gasket, Shaft Sleeve	80	Rotor, Mechanical Seal
2	Impeller	27	Adapter Ring	38A	O-Ring, Shaft Sleeve	99G	Cap Screw, Adapter
7	Casing Ring, *Optional*	28	Gasket, Impeller Screw	65	Seat, Mechanical Seal	212	Ring, Seal Retainer
14	Sleeve, Shaft	30A	Gasket, Impeller Washer	71	Adapter		